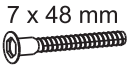




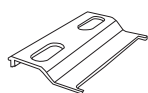
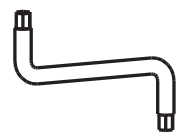


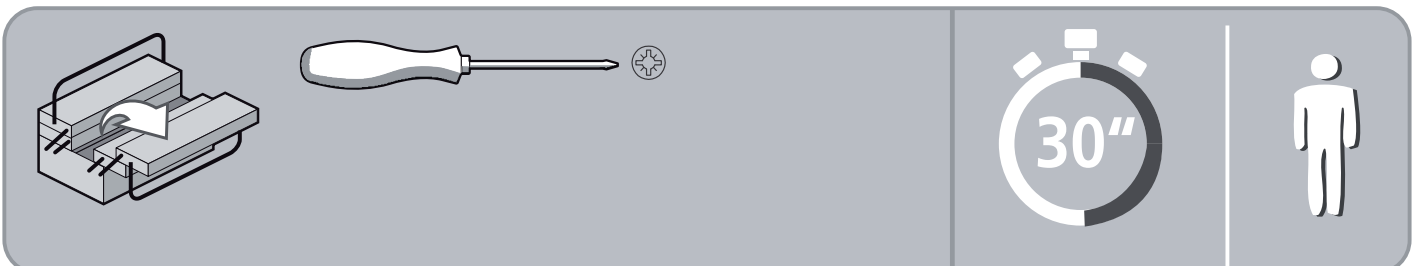


H15/70

- | | | | | |
|---|--|--|---|--|
| <p>A x8</p>  <p>7 x 48 mm</p> | <p>B x8</p>  | <p>C x1</p>  | <p>D x1</p>  | <p>E x4</p>  |
| <p>F x2</p>  | <p>G x1</p>  | <p>H x8</p>  | <p>I x16</p>  | |



Assembly icons: a bracket being inserted into a panel, a screwdriver with a screw, a 30-minute timer, and a person icon.

